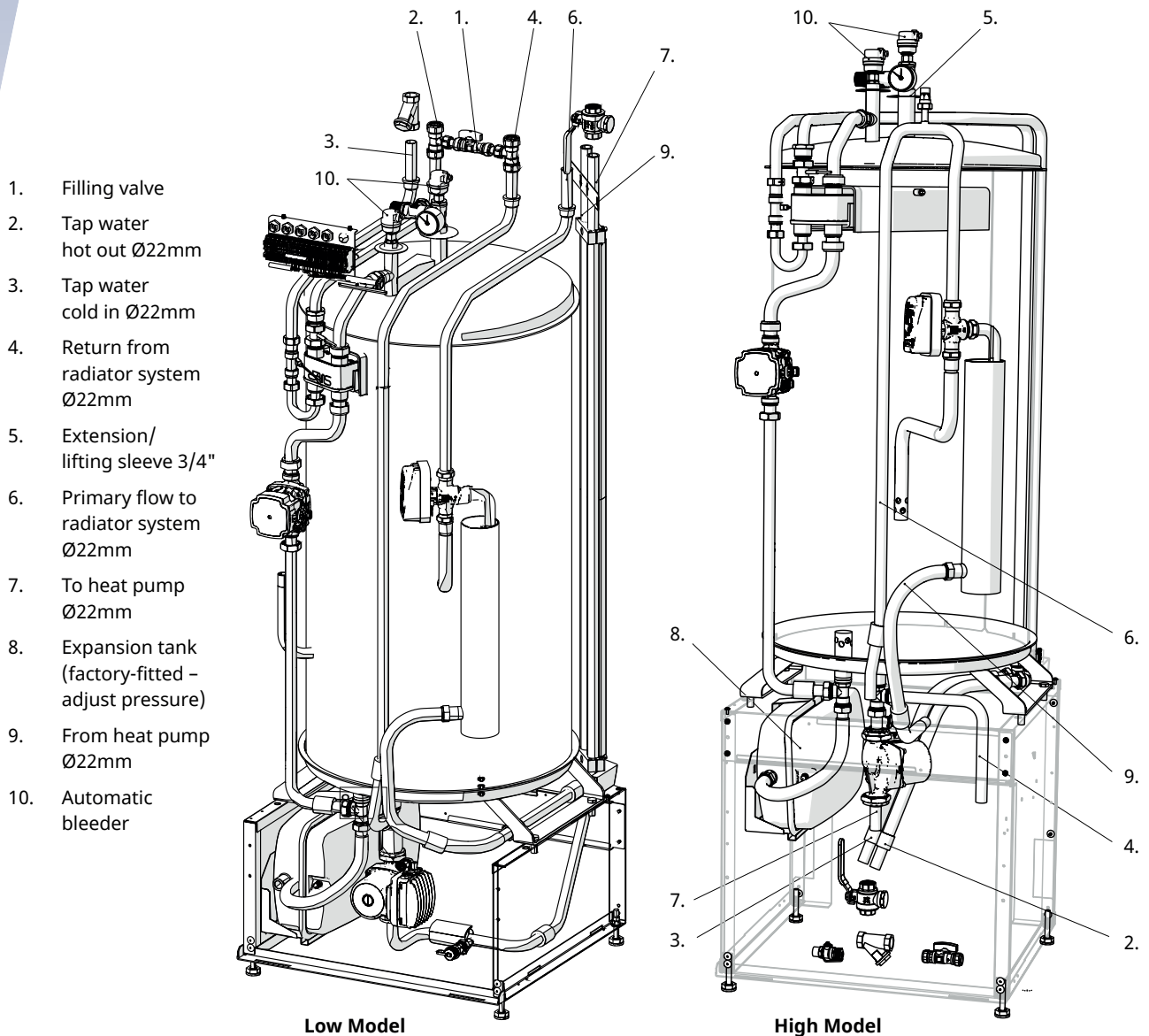
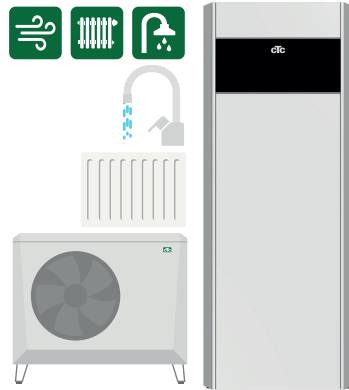


Overview of basic DHW installation*

CTC EcoZenith i360

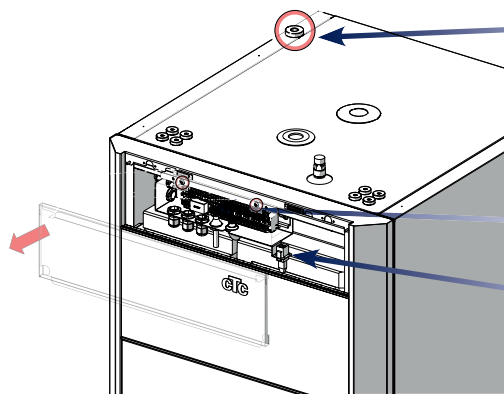
Indoor model with heat pump control



*This overview is only intended as an aid to installation; all safety and installation instructions in the Installation and Maintenance Manual for the product must be followed.

CTC EcoZenith i360

Indoor model with heat pump control

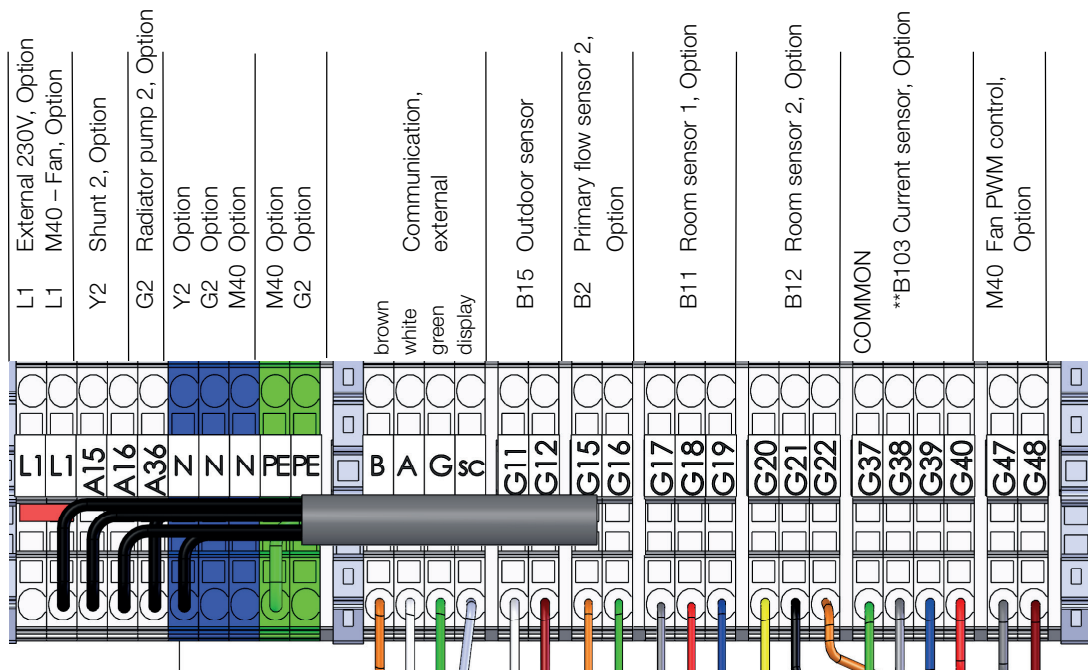


Feed cabling

The electrical connection must be preceded by an omnipolar switch and a residual current device in the central unit. The system must be designed so that all necessary rules and requirements are fulfilled (read the Installation and Maintenance Manual).

Terminal block X2

Network connection



Terminal block X2

**B103 – current sensor not applicable to 1x230

*This overview is only intended as an aid to installation; all safety and installation instructions in the Installation and Maintenance Manual for the product must be followed.